



2,000 Gallon Septic Tank

CONCRETE PRODUCTS

Terry Lane
Glocester, RI 02814
(401) 568-8874

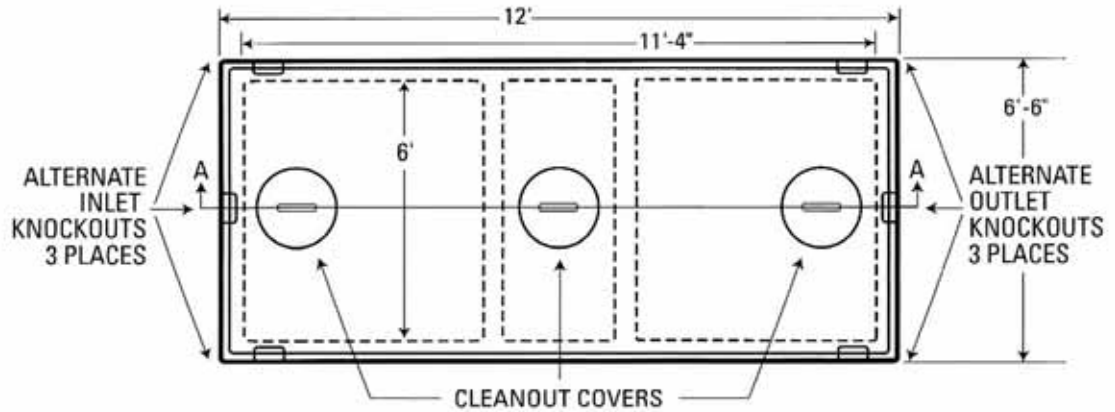
PRODUCT CODE CPST-2000

DESIGN NOTES:

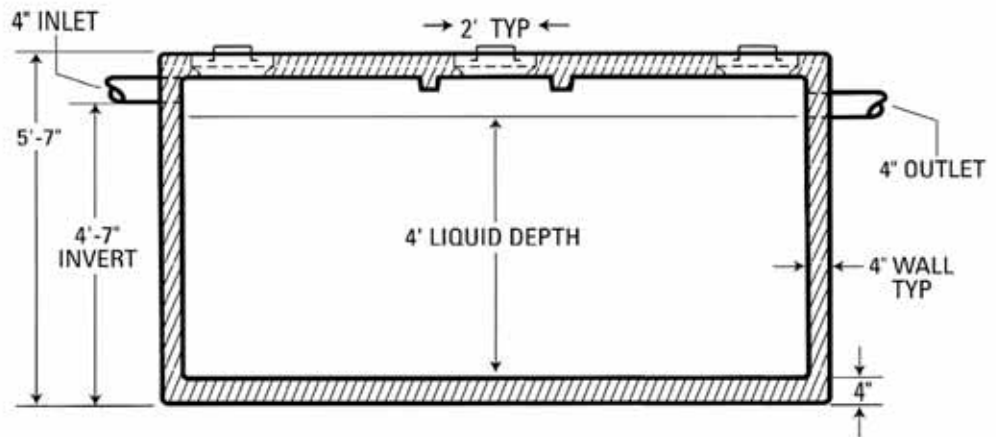
- Inlet and outlet baffle to be made of PVC pipe
- Concrete is 5000 psi at 28 days
- Sealed with a butyl rubber
- Excavation must be at least 12" wider and longer than tank size



TOP VIEW



SECTION AA



Pre-cast Bulkheads, Steps and Septic Tanks