



Catch Basin

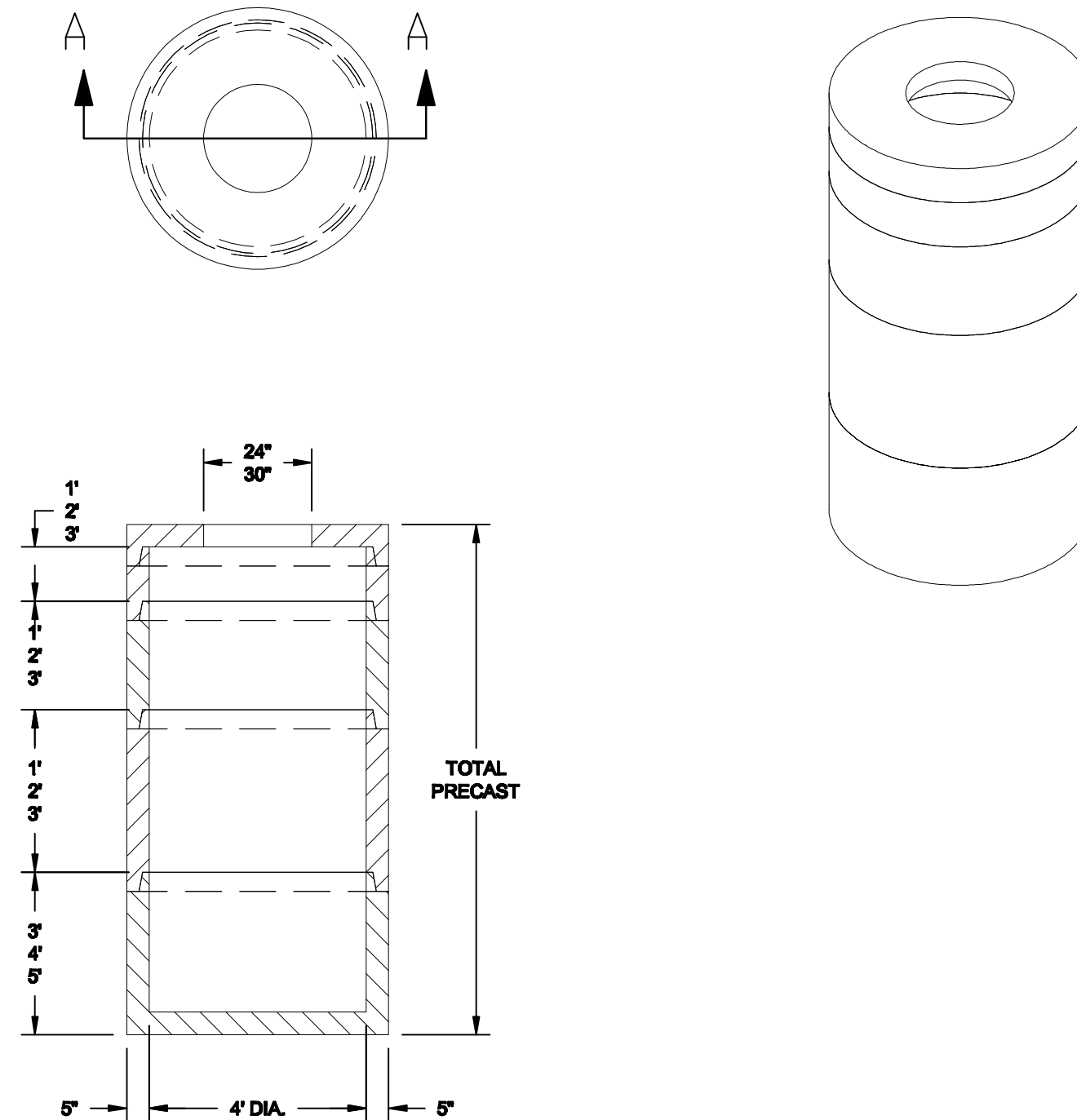
CONCRETE PRODUCTS

Terry Lane
Glocester, RI 02814
(401) 568-8874

PRODUCT CODE CPCB

DESIGN NOTES:

- Cast Iron frame and cover by contractor. Adjust to grade as required.
- Design specifications conform to:
Precast reinforced concrete manhole sections - ASTM designation C478, latest revision.
- Reinforcing ASTM A185 area 0.21 in. vertically ft. Reinforcing in bell and spigot.
- Concrete compressive strength is 4000 psi. Type II cement.
- Base section will be cast monolithic.
- Method of manufacture: Wetcast.
- Manhole steps are made of co-polymer polypropylene. This material conforms to ASTM 4P01-82 PP200B33450Z02. (The previous standard of 2146-82, Type II Grade 43758 was replaced by D4101-82).
- Pipe openings as required for pipe diameters through 24".



Pre-cast Bulkheads, Steps, and Septic Tanks