



Distribution Box - 5

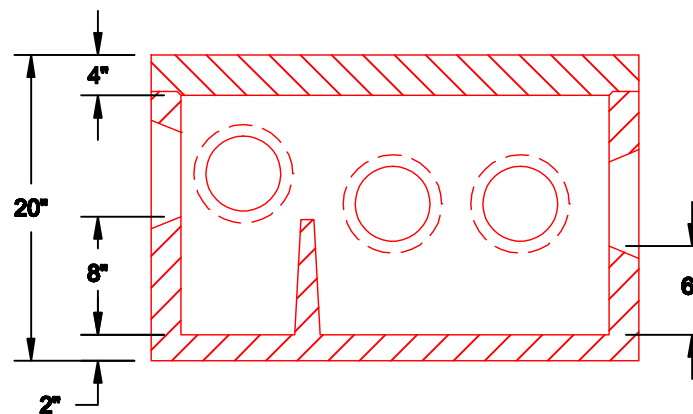
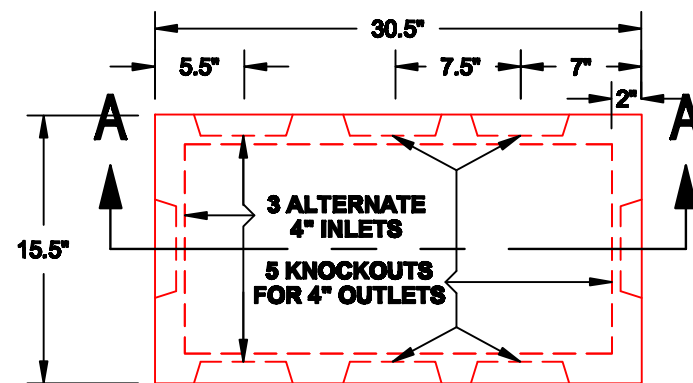
**CONCRETE
PRODUCTS**

Terry Lane
Glocester, RI 02814
(401) 568-8874

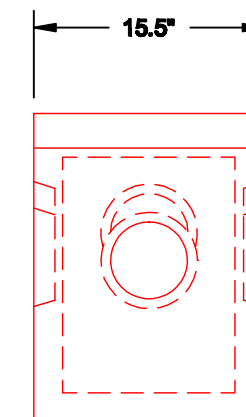
**PRODUCT CODE
CPDB-5**

DESIGN NOTES:

- Inlet baffle cast in place.
- Concrete is 5000 psi at 28 days.



SECTION A-A



Pre-cast Bulkheads, Steps, and Septic Tanks