



Flow Diffuser 4x8/SL

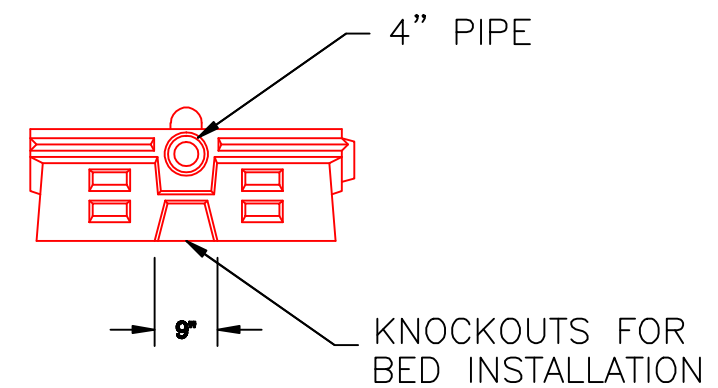
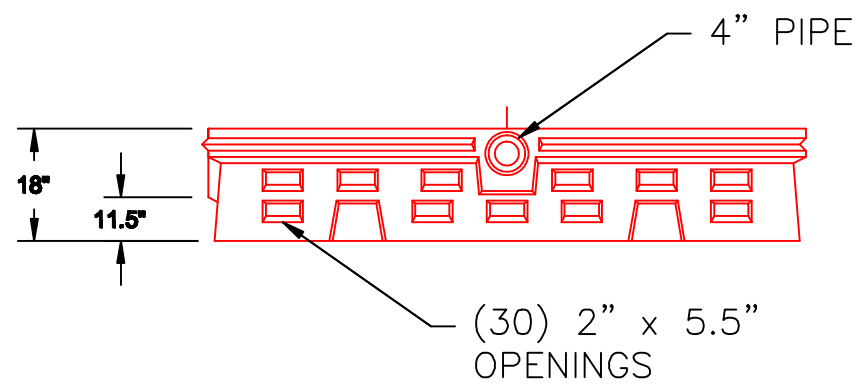
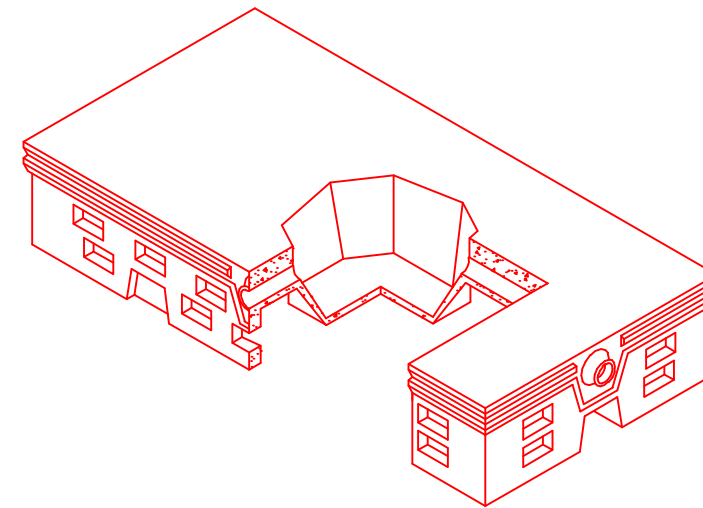
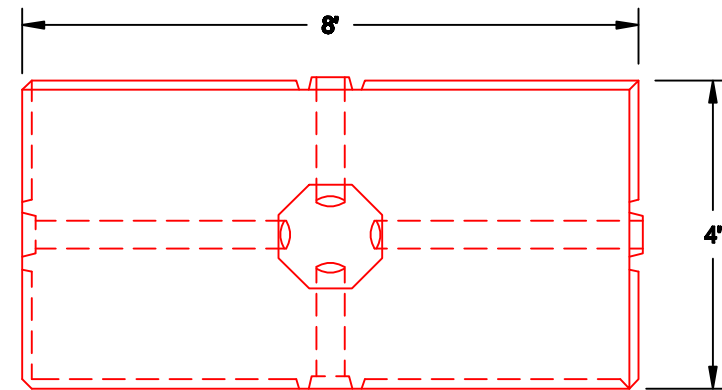
CONCRETE
PRODUCTS

Terry Lane
Glocester, RI 02814
(401) 568-8874

PRODUCT CODE
CPFD
4x8/SL

DESIGN NOTES:

- Concrete is 5000 psi at 28 days.
- Available design loading AASHTO H20-44.



Pre-cast Bulkheads, Steps, and Septic Tanks