



GALLEY - 3

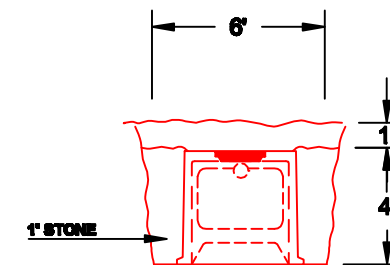
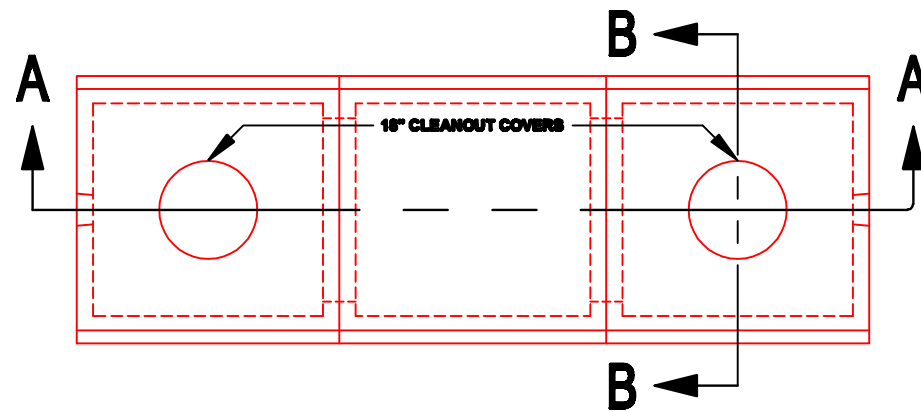
CONCRETE PRODUCTS

Terry Lane
Glocester, RI 02814
(401) 568-8874

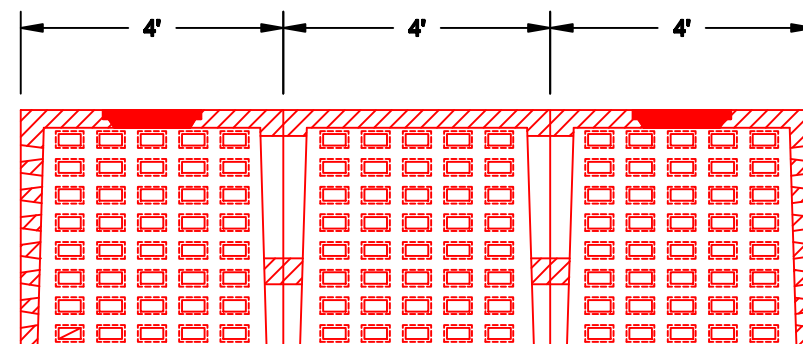
PRODUCT CODE
CPG-56

DESIGN NOTES:

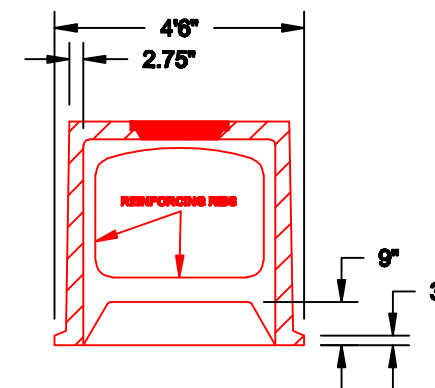
- Concrete is 5000 psi at 28 days.
- Available design loading AASHTO H20-44.



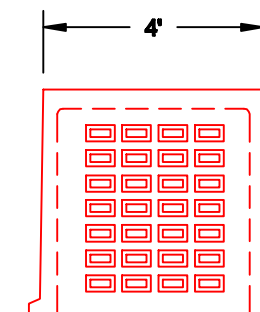
TRENCH CROSS SECTION



SECTION A-A



SECTION B-B



END VIEW TYPICAL