



1,500 Gallon Grease Trap

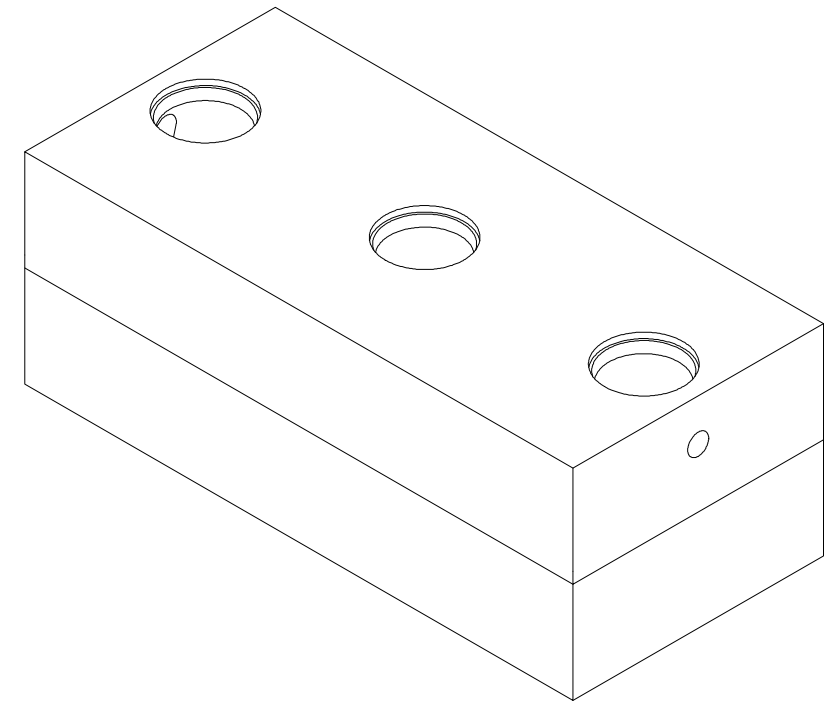
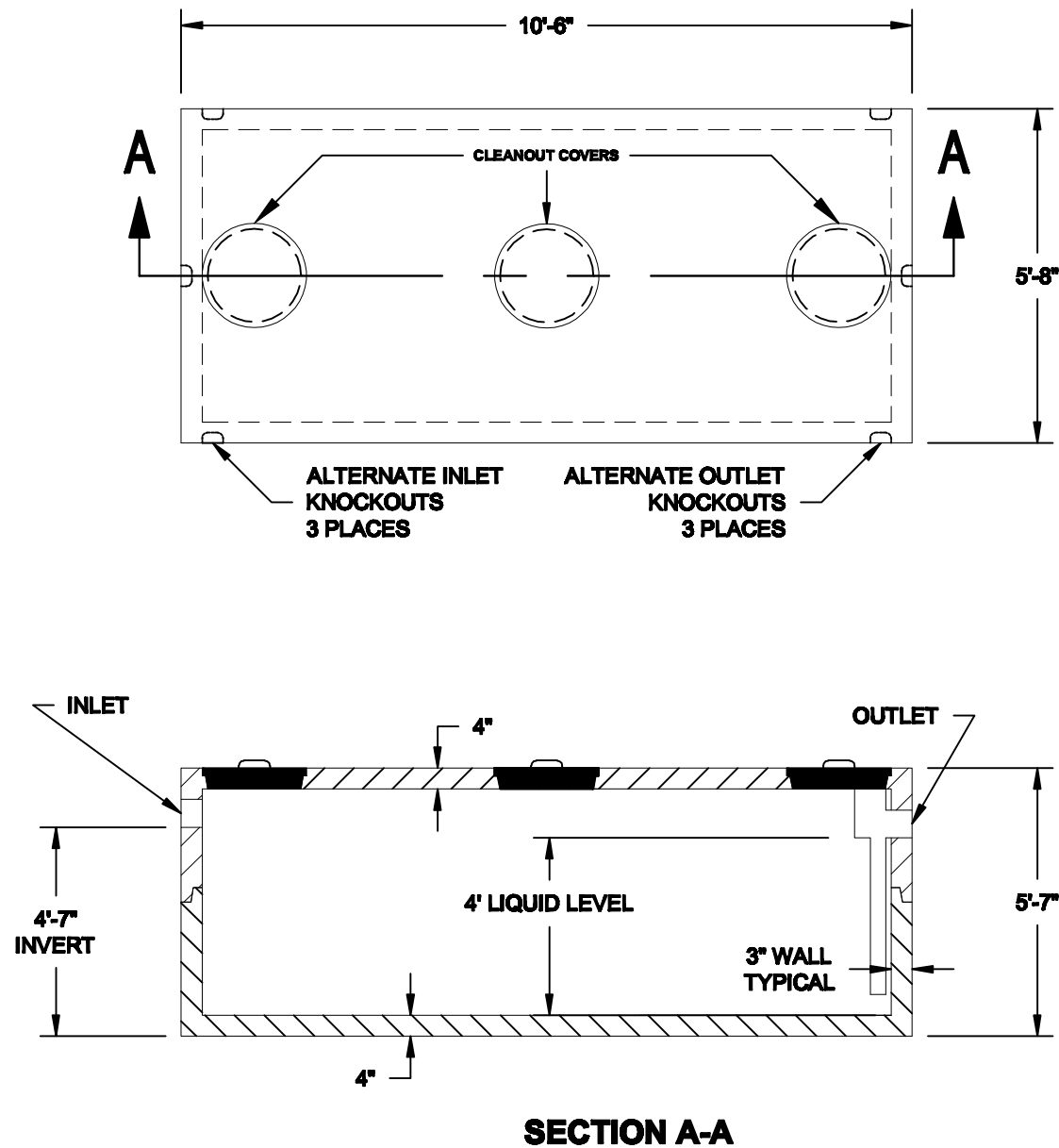
**CONCRETE
PRODUCTS**

Terry Lane
Glocester, RI 02814
(401) 568-8874

**PRODUCT CODE
CPGT-1500**

DESIGN NOTES:

- Inlet and outlet baffle to be made of PVC pipe.
- Concrete is 5000 psi at 28 days.
- Sealed with a butyle rubber.
- Excavation must be at least 12" wider and longer than tank size.



Pre-cast Bulkheads, Steps, and Septic Tanks