



# 1,500 Gallon Septic Tank

Orenco

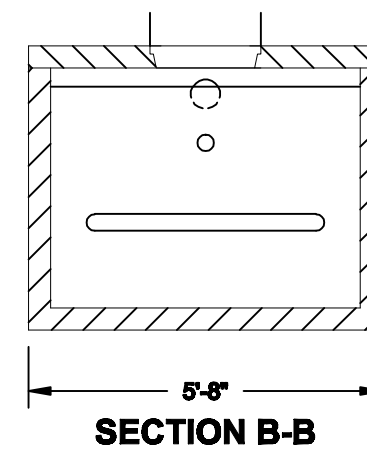
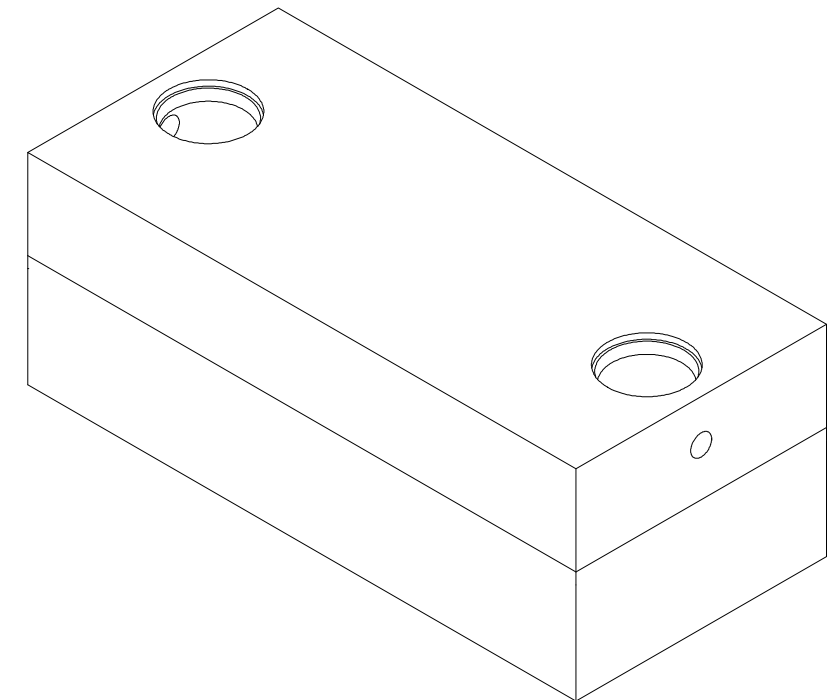
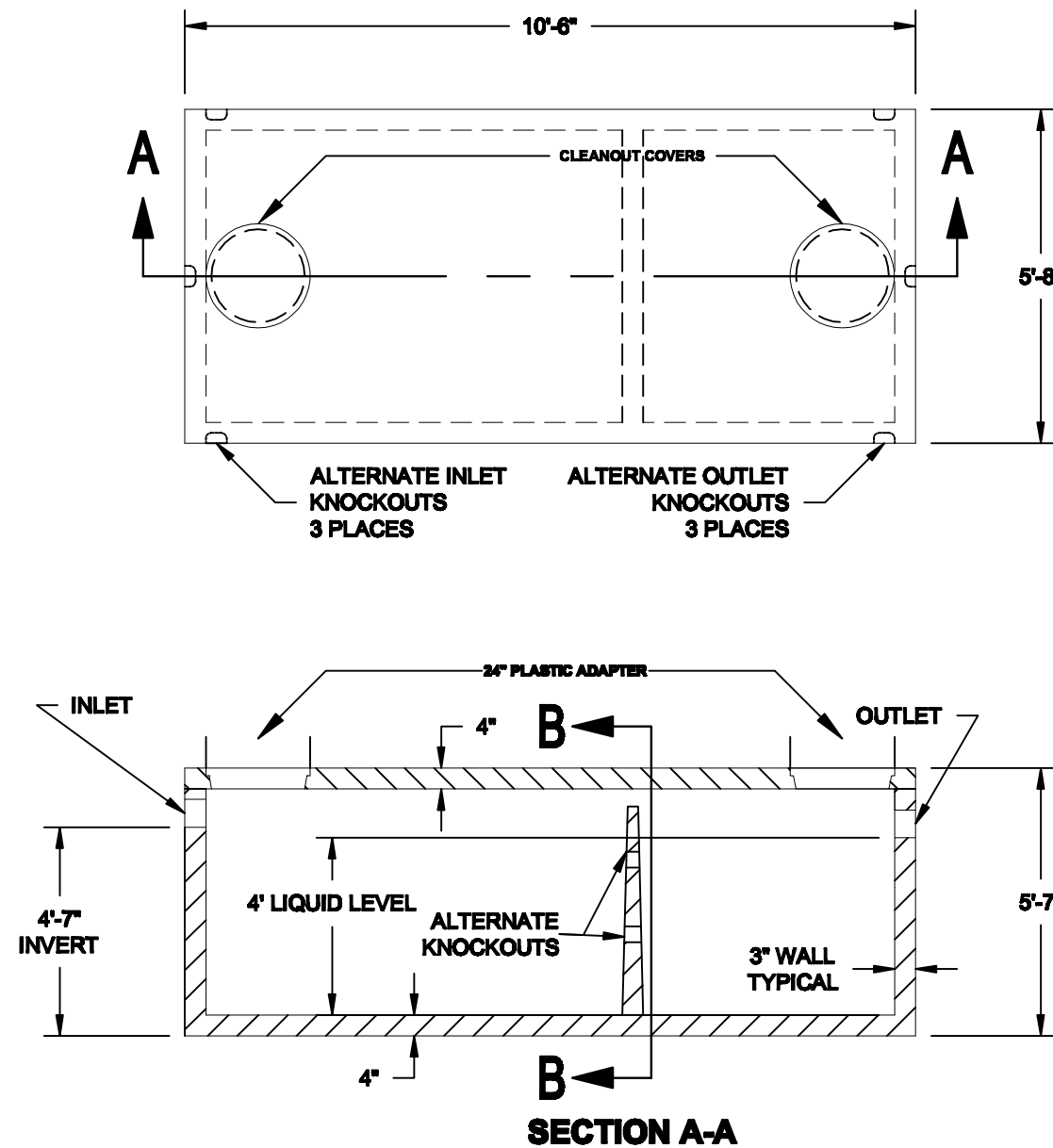
CONCRETE  
PRODUCTS

Terry Lane  
Glocester, RI 02814  
(401) 568-8874

PRODUCT CODE  
**CPST-1500**  
**ORENCO**

### DESIGN NOTES:

- Inlet and outlet baffle to be made of PVC pipe.
- Concrete is 5000 psi at 28 days.
- Sealed with a butyle rubber.
- Excavation must be at least 12" wider and longer than tank size.
- Vacuum tested.
- 12" - 24" Adapter rings.



Pre-cast Bulkheads, Steps, and Septic Tanks