

HD Septic Tank

2000, 2500, 3000 Gal.

CONCRETE PRODUCTS

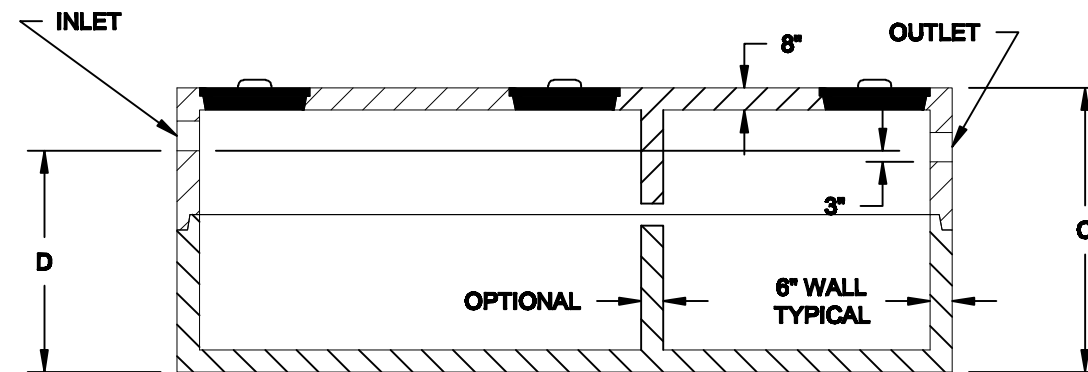
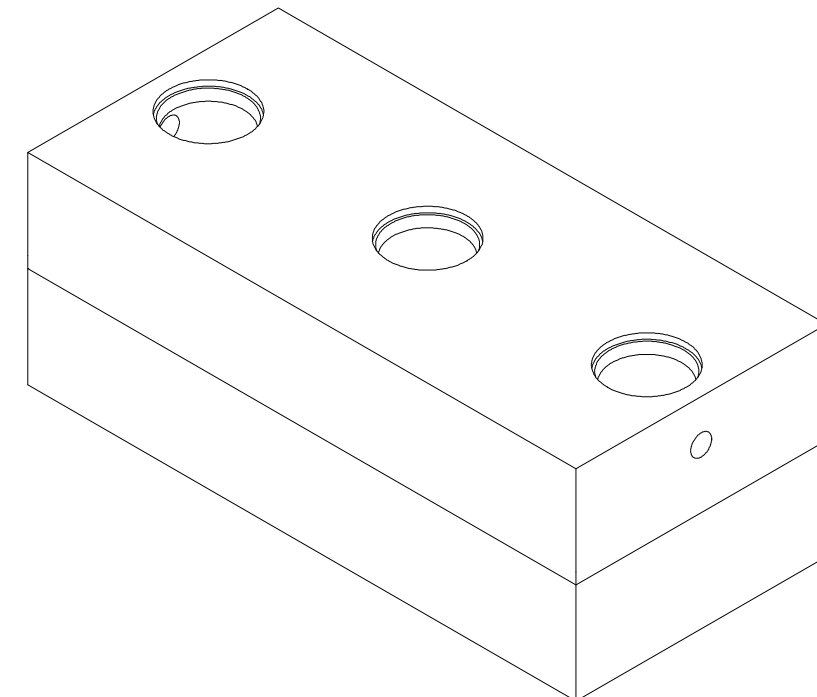
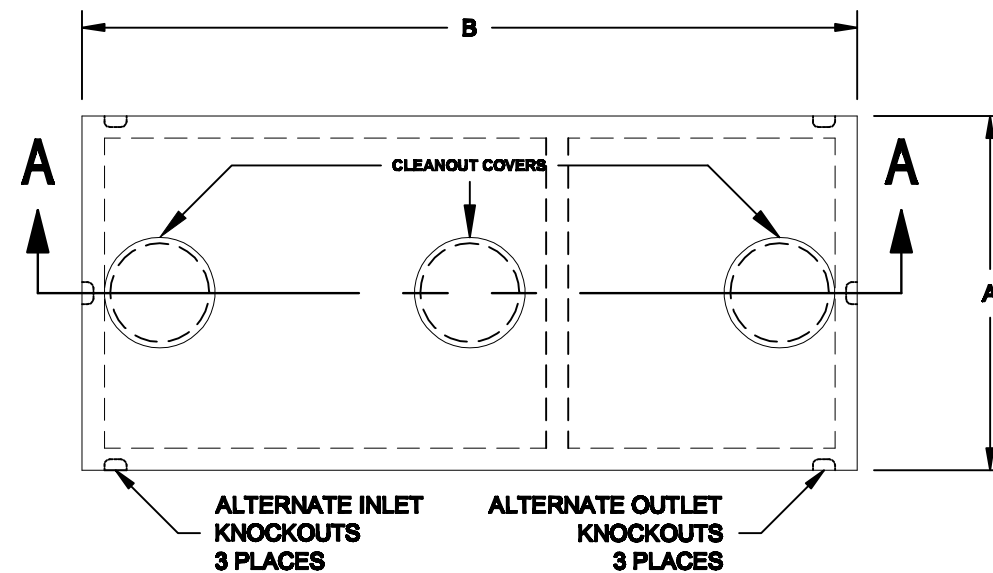
356 Tuckie Road
N. Windham, CT 06256
(860) 423-4144

FAX (860) 456-1377

PRODUCT CODE
CPST-2000 HD
CPST-2500 HD
CPST-3000 HD

DESIGN NOTES:

- Inlet and outlet baffle to be made of PVC pipe.
- Concrete is 5000 psi at 28 days.
- Sealed with a butyle rubber.
- Excavation must be at least 12" wider and longer than tank size.



SECTION A-A

Pre-cast Bulkheads, Steps, and Septic Tanks

TABULATION CHART

GALLONS	A	B	C	D
2000	7'-0"	13'-0"	6'-4"	4'-11"
2500	7'-0"	13'-0"	7'-2"	5'-10"
3000	7'-0"	13'-0"	8'-0"	6'-9"