



# HD Septic Tank

2000, 2500, 3000 Gal.

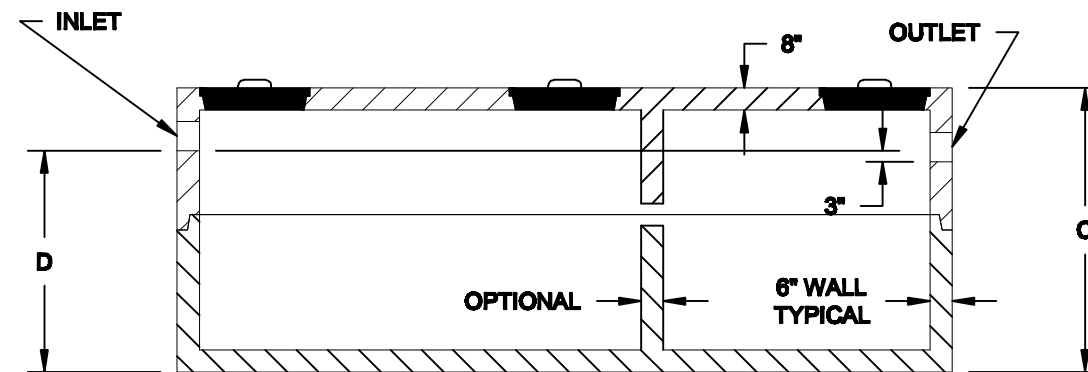
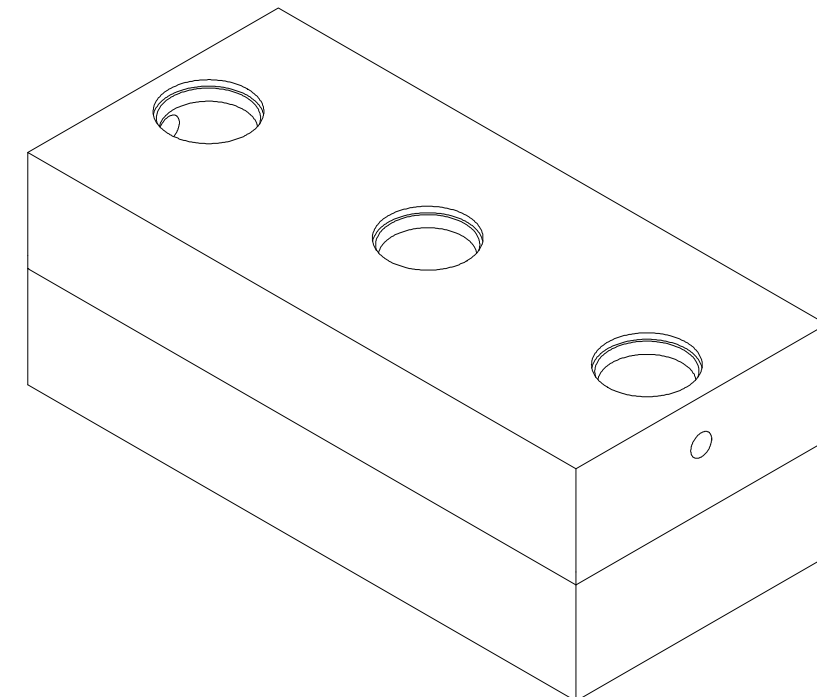
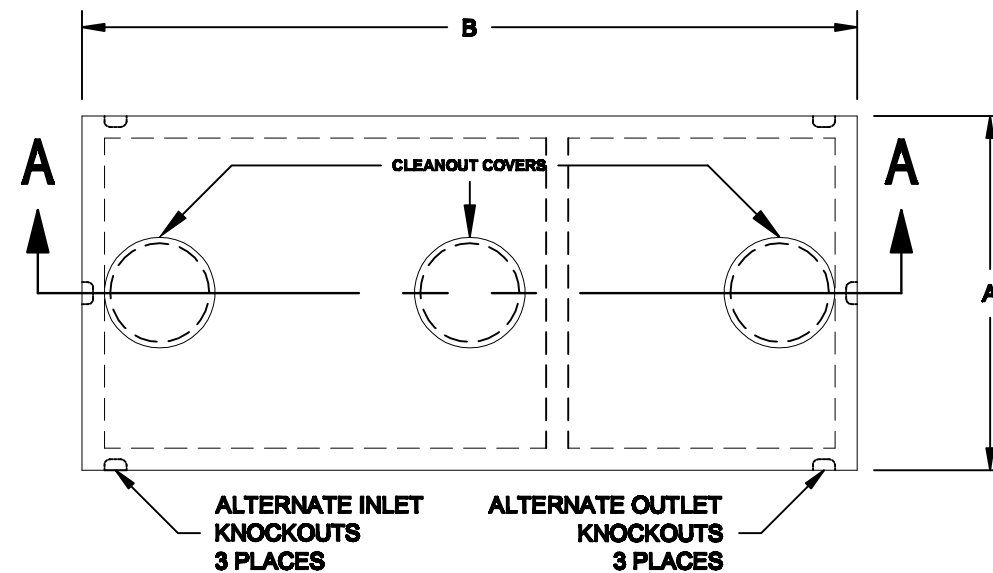
CONCRETE PRODUCTS

Terry Lane  
 Glocester, RI 02814  
 (401) 568-8874

PRODUCT CODE  
**CPST-2000 HD**  
**CPST-2500 HD**  
**CPST-3000 HD**

**DESIGN NOTES:**

- Inlet and outlet baffle to be made of PVC pipe.
- Concrete is 5000 psi at 28 days.
- Sealed with a butyle rubber.
- Excavation must be at least 12" wider and longer than tank size.



SECTION A-A

Pre-cast Bulkheads, Steps, and Septic Tanks

**TABULATION CHART**

GALLONS	A	B	C	D
2000	7'-0"	13'-0"	6'-4"	4'-11"
2500	7'-0"	13'-0"	7'-2"	5'-10"
3000	7'-0"	13'-0"	8'-0"	6'-9"