



# DIPPER D BOX

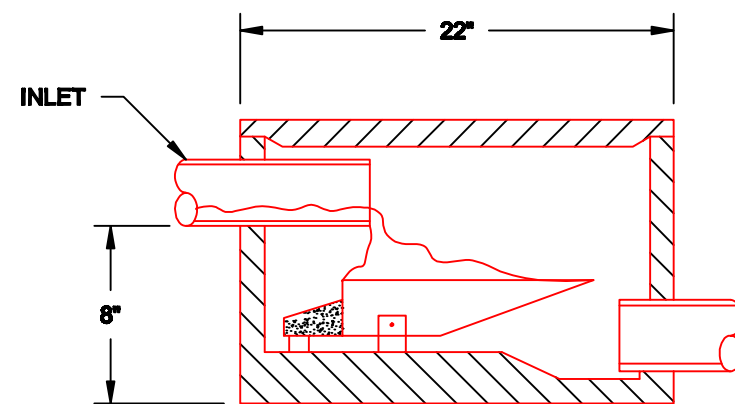
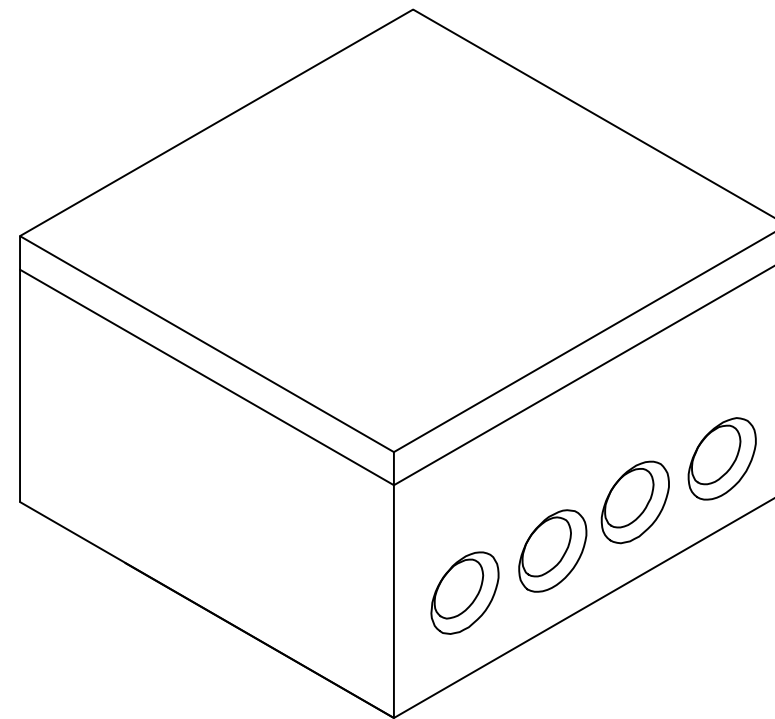
**CONCRETE  
PRODUCTS**

Terry Lane  
Glocester, RI 02814  
**(401) 568-8874**

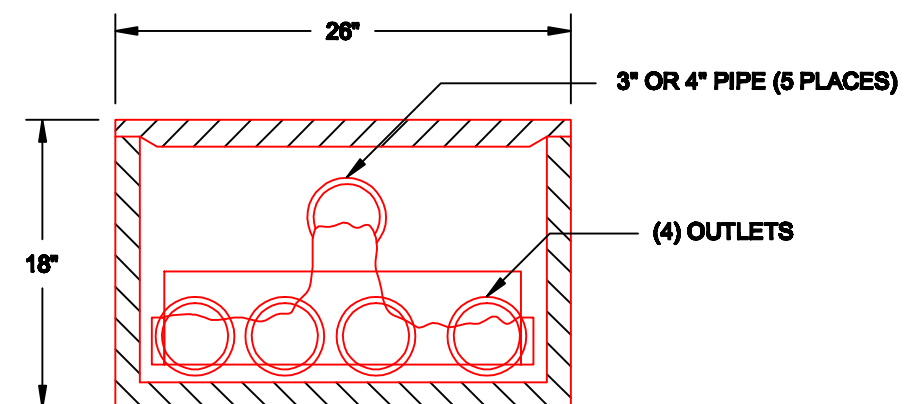
**PRODUCT CODE  
DIPPER D**

**DESIGN NOTES:**

- Concrete is 5000 psi at 28 days.



**SIDE VIEW**



**END VIEW**

**Pre-cast Bulkheads, Steps, and Septic Tanks**