



# 1,500 Gallon Septic Tank

TITLE 5 - MONO HD

## CONCRETE PRODUCTS

Terry Lane  
Glocester, RI 02814  
(401) 568-8874

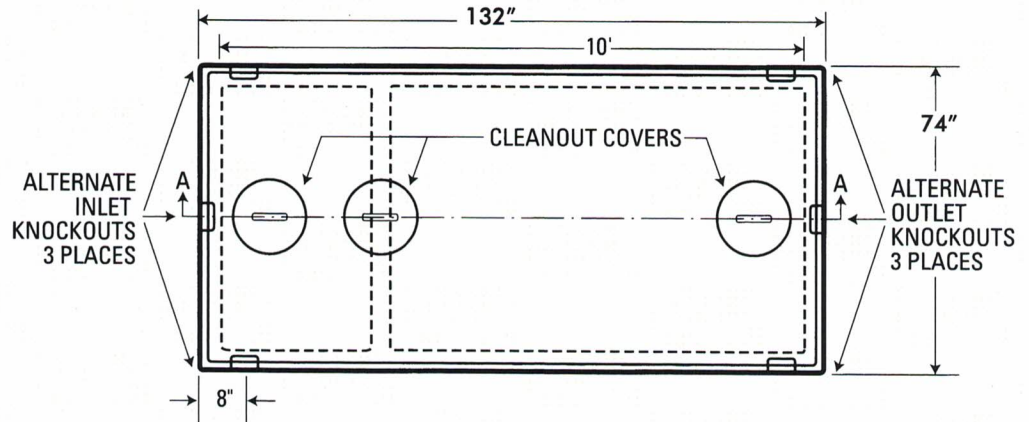
PRODUCT CODE  
**CPST-1500**  
TITLE 5-  
MONOLITHIC  
HD

### DESIGN NOTES:

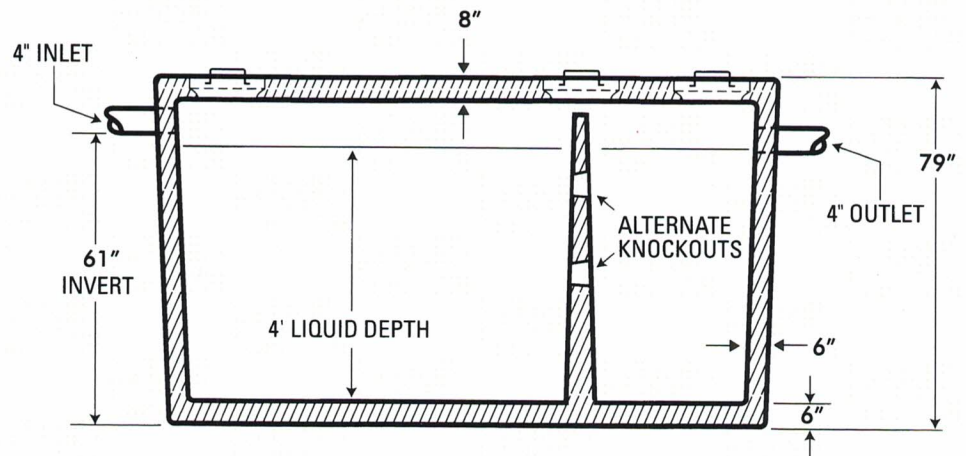
- Inlet and outlet baffle to be made of PVC pipe
- Concrete is 5000 psi at 28 days
- Sealed with a butyle rubber
- Excavation must be at least 12" wider and longer than tank size



### TOP VIEW



### SECTION AA



Pre-cast Bulkheads, Steps and Septic Tanks