



2,000
2,500
3,000

Gallon Septic Tank HD

CONCRETE PRODUCTS

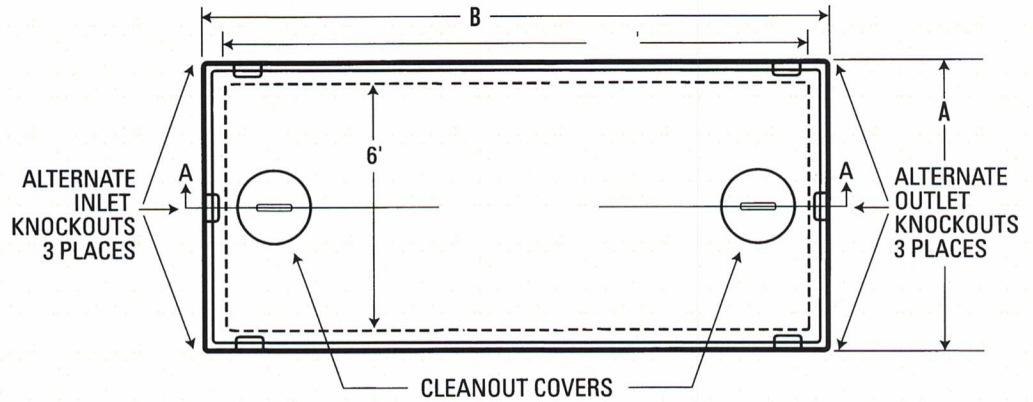
Terry Lane
Glocester, RI 02814
(401) 568-8874

PRODUCT CODE
CPST-2000 HD
CPST-2500 HD
CPST-3000 HD

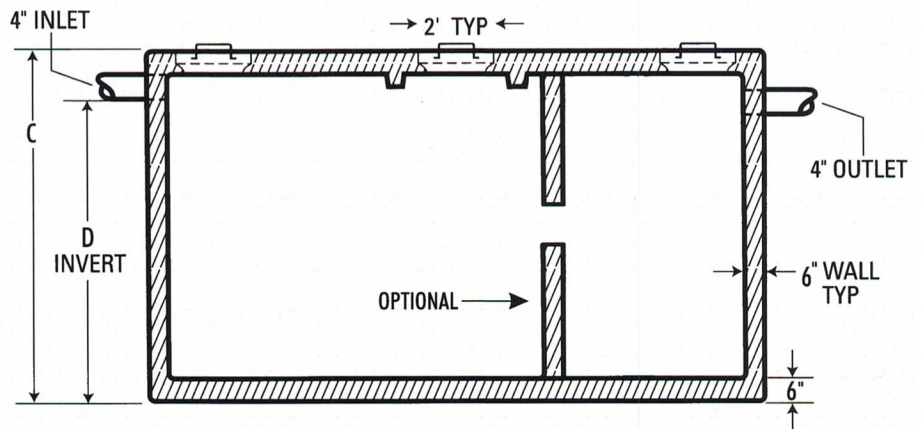
DESIGN NOTES:

- Inlet and outlet baffle to be made of PVC pipe
- Concrete is 5000 psi at 28 days
- Sealed with a butyl rubber
- Excavation must be at least 12" wider and longer than tank size

TOP VIEW



SECTION AA



| GALLONS | A | B | C | D |
|---------|---|---|---|---|
| | | | | |

