



Distribution Box - 7

CONCRETE PRODUCTS

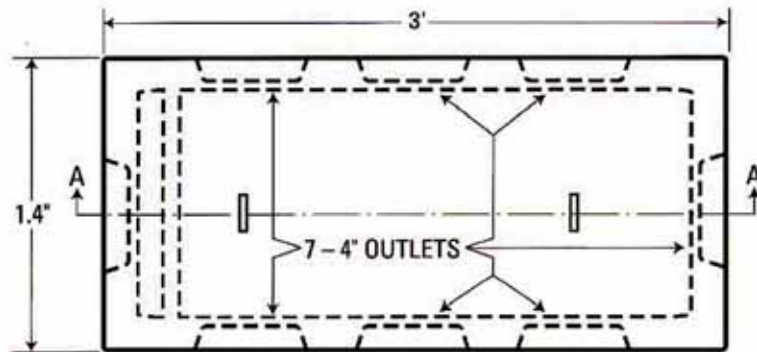
Terry Lane
Glocester, RI 02814
(401) 568-8874

PRODUCT CODE
CPDB-7

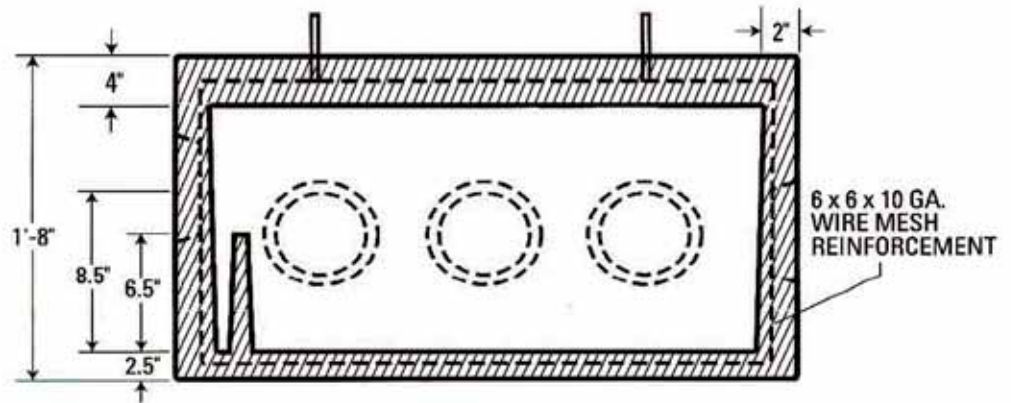
DESIGN NOTES:

- Inlet baffle cast in place
- Concrete is 5000 psi at 28 days

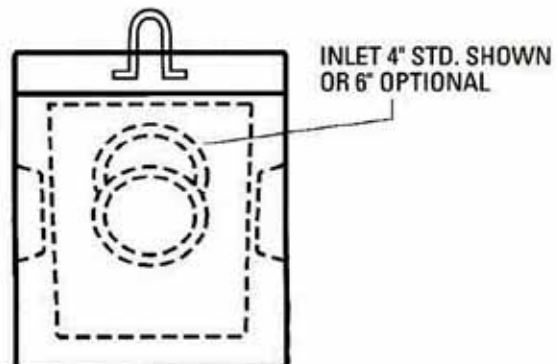
TOP VIEW



SECTION AA



SIDE VIEW



Pre-cast Bulkheads, Steps and Septic Tanks