



Flow Diffuser 4x8/SL

CONCRETE PRODUCTS

Terry Lane
Glocester, RI 02814
(401) 568-8874

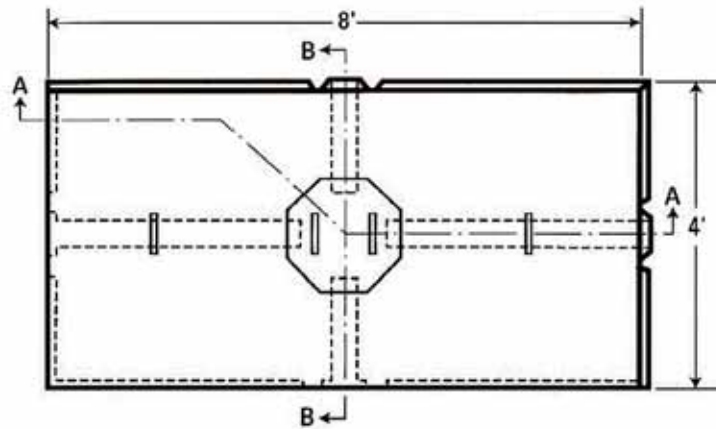
PRODUCT CODE
CPFD
4x8/SL

DESIGN NOTES:

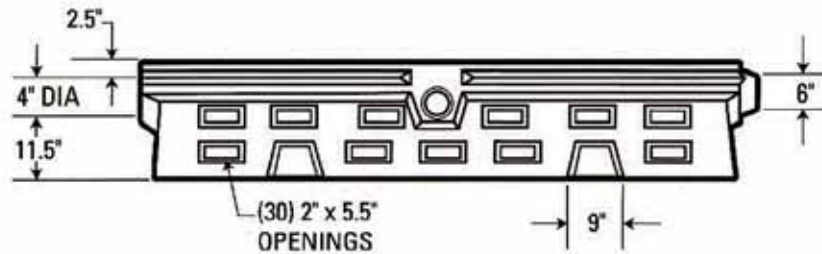
- Concrete is 5000 psi at 28 days
- Available design loading AASHTO H20-44



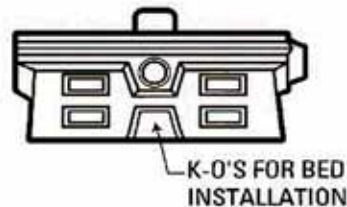
TOP VIEW



FRONT VIEW



END VIEW



Pre-cast Bulkheads, Steps and Septic Tanks