



# Meter Pit – 1

## CONCRETE PRODUCTS

Terry Lane  
Glocester, RI 02814  
(401) 568-8874

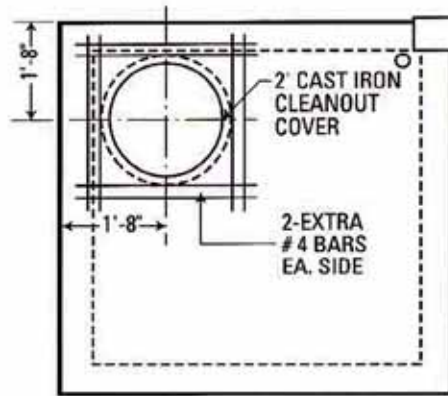
## PRODUCT CODE CPMP-1

### DESIGN NOTES:

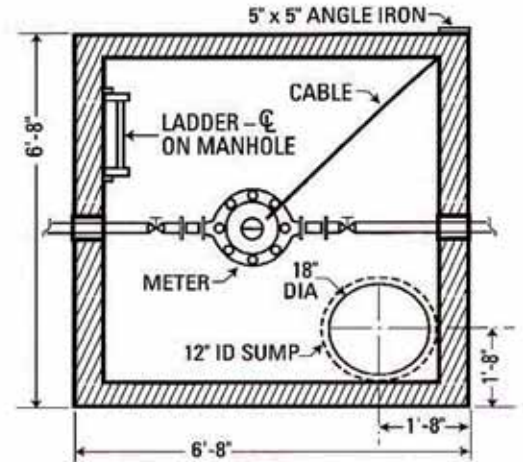
- Concrete is 5000 psi at 28 days
- Thoroughly vibrated for maximum density
- Meter pits to be water proof
- Install 1' gravel base under pits
- Ladder



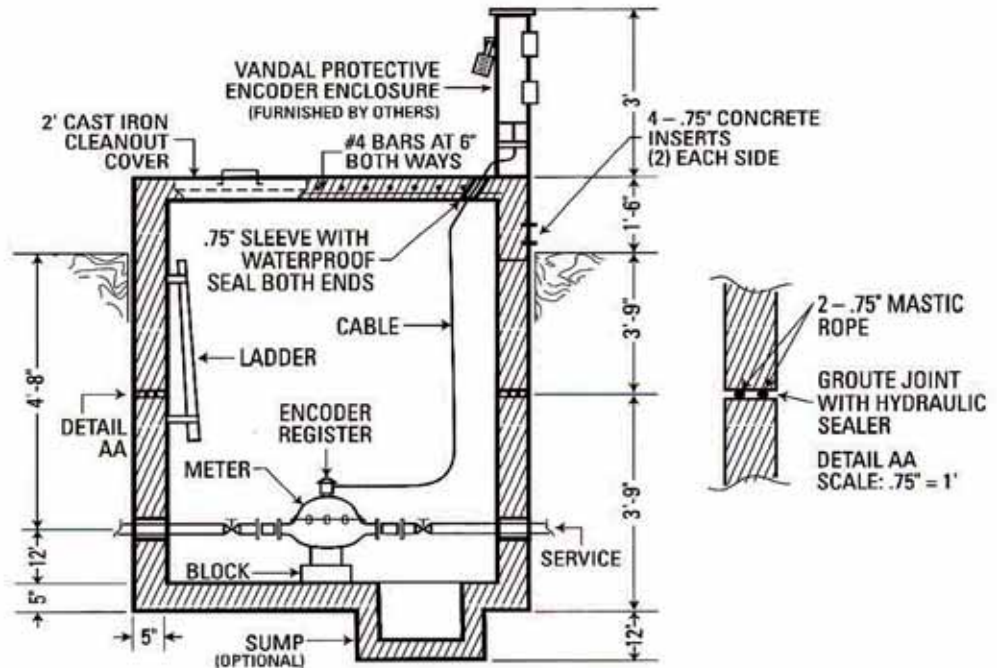
### TOP VIEW



### HORIZONTAL SECTION



### VERTICAL SECTION



*Pre-cast Bulkheads, Steps and Septic Tanks*