



West Warwick Grease Trap

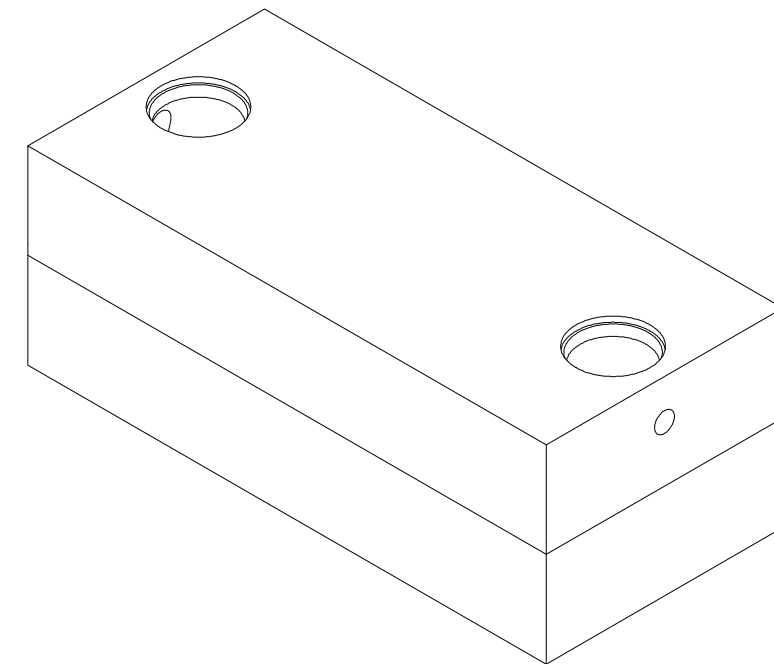
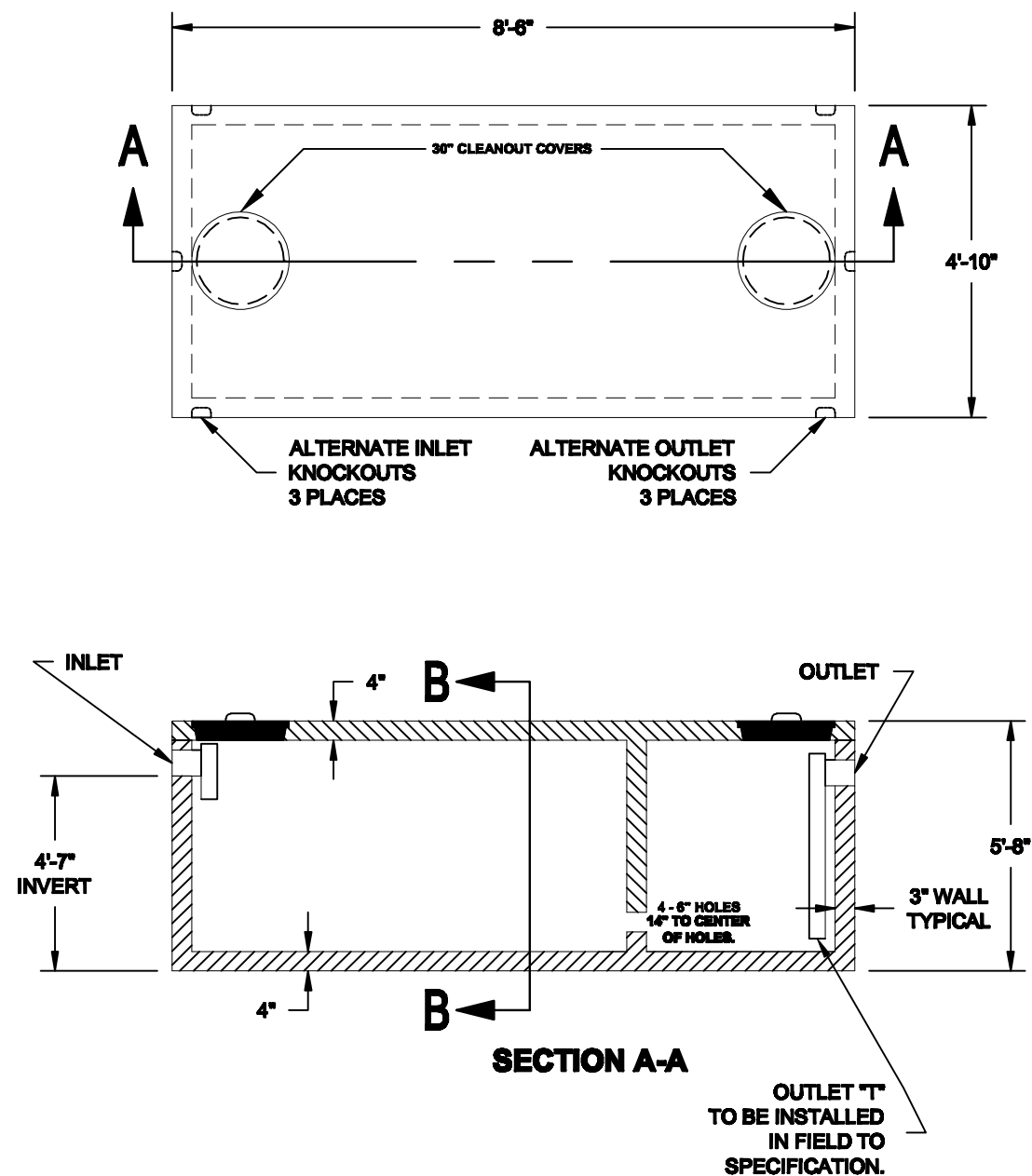
CONCRETE PRODUCTS

Terry Lane
Glocester, RI 02814
(401) 568-8874

PRODUCT CODE
WWGT

DESIGN NOTES:

- All joints sealed with butyl rubber sealant.
- Concrete is 5000 psi at 28 days.
- Cover placarded - Danger Poison Gas - Do Not Enter
- Top, bottom, and sides reinforced with #3 rebar.
- Inlets and outlets have state approved seals.
- Inlets and outlets to have Kor-N-Seal adapters.



Pre-cast Bulkheads, Steps, and Septic Tanks