



4'-8" Leaching Dry Well

CONCRETE PRODUCTS

Terry Lane
Glocester, RI 02814
(401) 568-8874

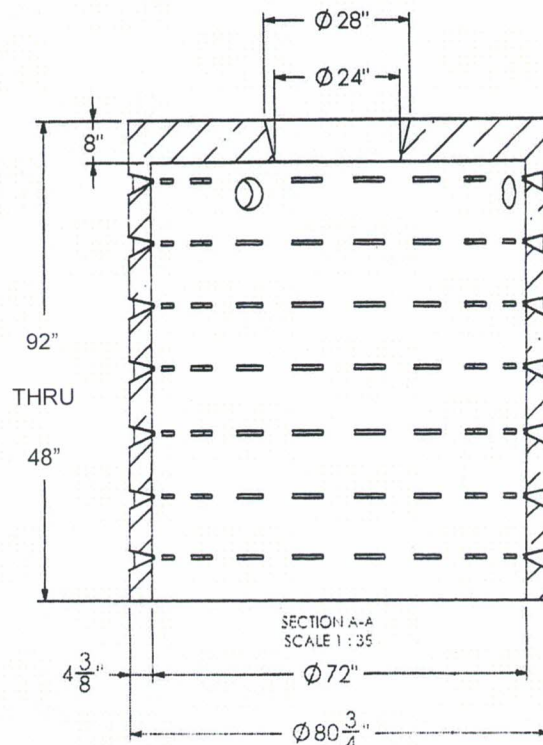
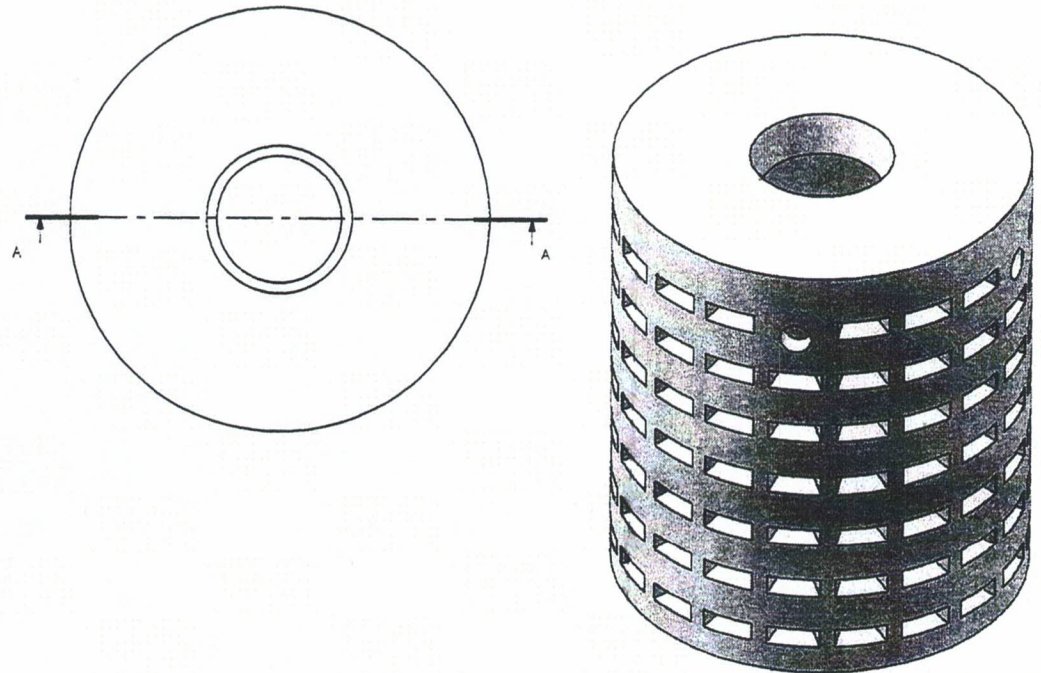
PRODUCT CODE
CPDW

DESIGN NOTES:

- Concrete is 5000 P.S.I. at 28 days
- Available design loading AASHTO H20-44



FRONT VIEW



Pre-cast Bulkheads, Steps and Septic Tanks