



# Distribution Box – 12

## CONCRETE PRODUCTS

Terry Lane  
Glocester, RI 02814  
(401) 568-8874

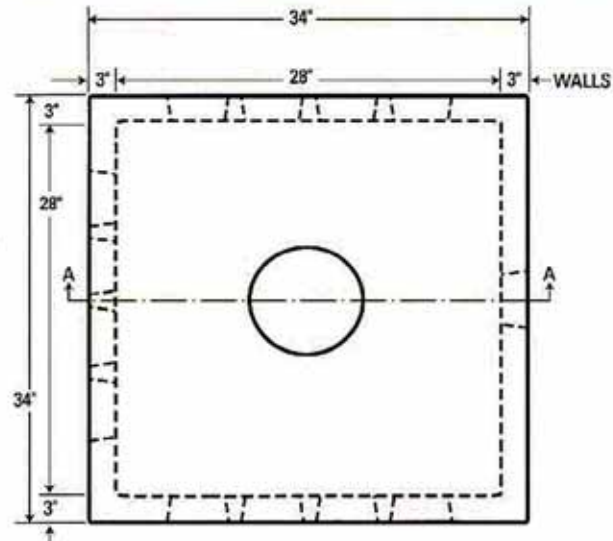
PRODUCT CODE  
**CPDB-12**

### DESIGN NOTES:

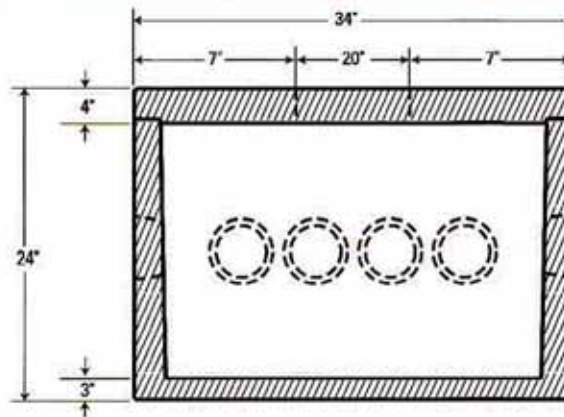
- Concrete is 5000 psi at 28 days



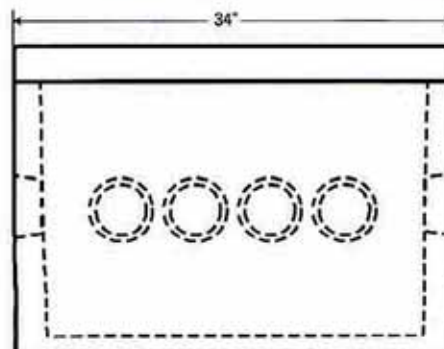
### TOP VIEW



### SECTION AA



### SIDE VIEW



*Pre-cast Bulkheads, Steps and Septic Tanks*