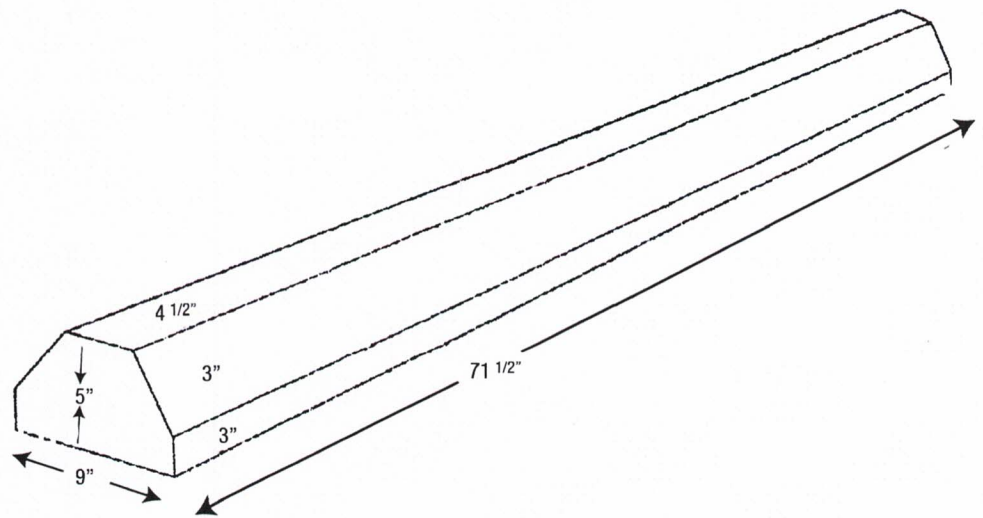


# Parking Stops

## CONCRETE PRODUCTS

Terry Lane  
Glocester, RI 02814  
**(401) 568-8874**



② 5/8" x 13" Rebar



*Pre-cast Bulkheads, Steps and Septic Tanks*